

+ Quick Guide

EE364 - Moisture in Oil Sensor



your partner
in sensor
technology.

i PLEASE NOTE

Find this document and further product information on our website at www.epluse.com/ee364.

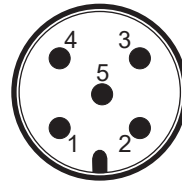
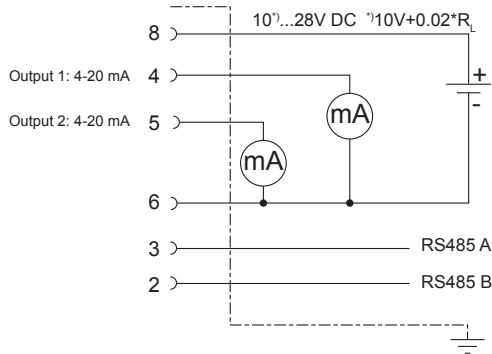
Electrical Connection

⚠ WARNING

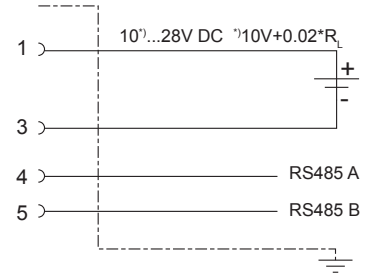
Incorrect installation, wiring or power supply may cause overheating and therefore personal injuries or damage to property. For correct cabling of the device, always observe the presented wiring diagram for the product version used. The manufacturer cannot be held responsible for personal injuries or damage to property as a result of incorrect handling, installation, wiring, power supply and maintenance of the device.



EE364
M12 device plug
front view



EE364 OEM Style
RS485 only
M12 device plug
front view



i PLEASE NOTE

In order to comply with the EMC Directive 2014/30/EU, a shielded cable must be used.

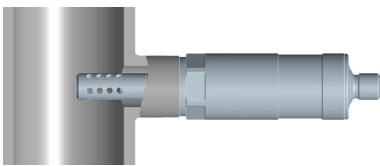
Setup and Adjustment

The EE364 is ready to use and does not require any user configuration. The factory setup of EE364 corresponds to the type number ordered. If needed, the user can change the factory setup or make an adjustment with the help of the optional Modbus configuration adapter and the free EE-PCS Product Configuration Software (www.epluse.com/configurator).

Installation

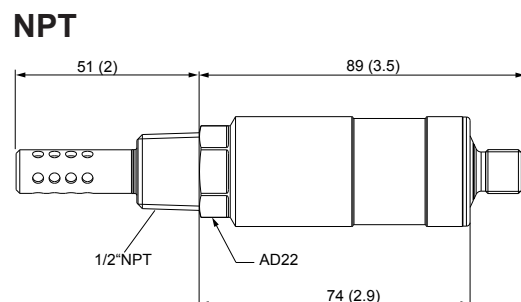
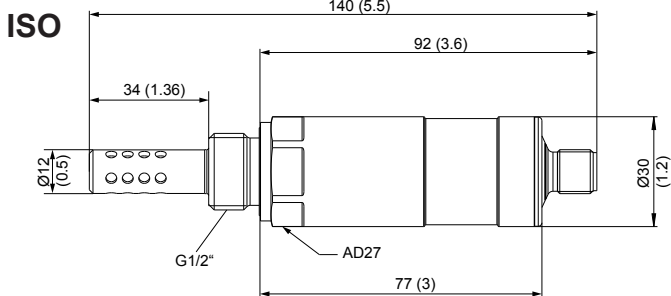
i PLEASE NOTE

Continuous oil flow allows for short response time. In such installations, place the sensor with the perforated filter at least partially within the oil.



Dimensions

mm (inch)



Modbus Setup

	Factory settings	User selectable values (via PCS10)
Baud rate	9600	9600, 19 200, 38 400, 57 600, 76 800, 115 200
Data bits	8	8
Parity	Even	None, odd, even
Stop bits	1	1, 2
Modbus address	243	1...247

Device address, baud rate, parity and stop bits can be set via:

- EE-PCS Product Configuration Software and the the Modbus configuration adapter HA011013.
The EE-PCS can be downloaded free of charge from www.epluse.com/configurator.
- Modbus protocol in the register 1 (0x00) and 2 (0x01).
See Application Note Modbus AN0103 (available at www.epluse.com/ee364).

The serial number in ASCII format is located in read-only register 1 - 8 (16 bits per register). The firmware version is located in register 9 (bit 15...8 = major release; bit 7...0 = minor release). The sensor name is located in register 10 (0x09).

Modbus Register Map

FLOAT32

Parameter	Unit	Register number ¹⁾ [DEC]	Protocol address ²⁾ [HEX]
Read register: function code 0x03 / 0x04			
Water activity aw	-	0052	0x33
Water content x	ppm	0054	0x35
Temperature T	°C/°F	0026	0x19
Oil parameter A	-	0224	0xDF
Oil parameter B	-	0226	0xE1
Write register: function code 0x10			
Oil parameter A ³⁾	-	0101	0x64
Oil parameter B ³⁾	-	0103	0x66

INT16

Parameter	Unit	Register number ¹⁾ [DEC]	Protocol address ²⁾ [HEX]
Write register: function code 0x06			
Modbus address	-	0001	0x00
RS485 setting	-	0002	0x01

1) Register number starts from 1

2) Register address starts from 0

3) Examples: Writing Parameter A -2663.30005 decimal: E7 10 00 64 00 02 04 74 CD C5 26 E5 BA

Writing Parameters A and B -1663.30005 and 7.3705 decimal: E7 10 00 64 00 04 08 E9 9A C4 CF DB 23 40 EB AB 61

If two parameters are to be uploaded, it is recommended to write them with a single command.

Scope of Supply

- EE364 Sensor according to ordering guide
- Quick Guide
- Inspection certificate according to DIN EN 10204-3.1

E+E Elektronik Ges.m.b.H.

Langwiesen 7

4209 Engerwitzdorf | Austria

T +43 7235 605-0

F +43 7235 605-8

info@epluse.com

www.epluse.com

