

# QUICK GUIDE

## EE8915 - CO<sub>2</sub> Sensor for Railway Applications

Find this document and further product information on our website at [www.epluse.com/EE8915](http://www.epluse.com/EE8915).

### CONNECTION DIAGRAM



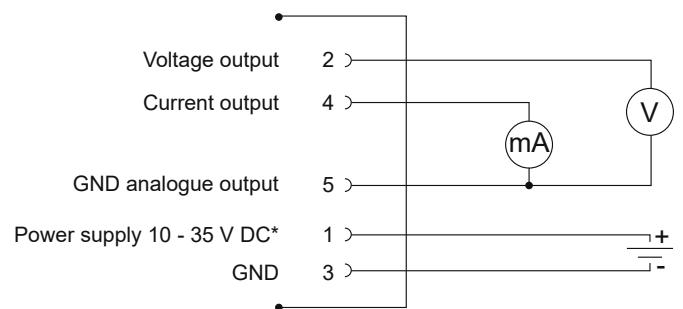
**Important note:**

- » The manufacturer cannot be held responsible for personal injuries or damage to property as a result of incorrect handling, installation, wiring, power supply and maintenance of the device.
- » For failure-free operation and performance according to the specs, the GND supply and the GND analogue output must be wired separately. Internally, the GNDs are connected to each other on the electronics board.

### FIX INSTALLED CABLE

Core number	Function
1	10 - 35 V DC supply
2	GND supply
3	GND analogue output
4	Current output
5	Voltage output

### M12 CONNECTOR



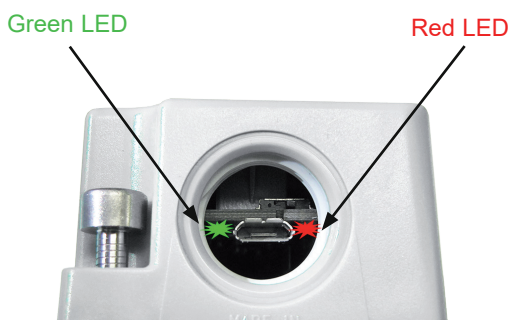
\*The supply circuit must be fused with  $\leq 8A$

### ERROR INDICATION ON THE ANALOGUE OUTPUT

The EE8915 features an error indication on the analogue output according to NAMUR recommendations (factory setting: disabled). The feature can be enabled with the EE-PCS Product Configuration Software, see full user guide at [www.epluse.com/EE8915](http://www.epluse.com/EE8915).

Output signal	NAMUR signal level
0-5 V	5.5 V
0-10 V	11 V
4-20 mA	21 mA
0-20 mA	21 mA

### STATUS LEDs



**Green LED**

flashing = Normal operation

**Red LED**

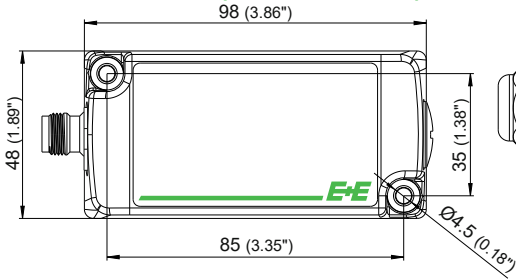
off = Normal operation

on = Failure. Contact E+E after sales service.

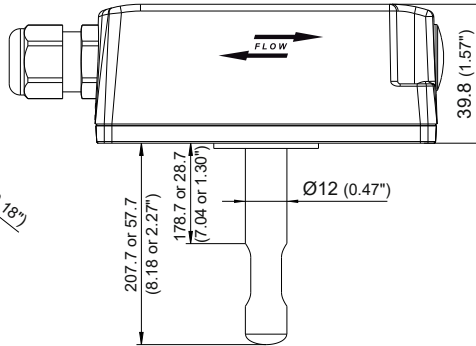
flashing = Failure. Also indicated on the analogue output (NAMUR indication enabled). The failure might be temporary, caused for instance by overheating. If the flashing persists, contact E+E after sales service.

**DIMENSIONS**

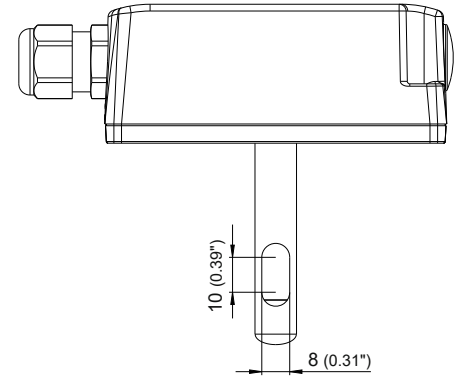
**MODEL T1 (WALL MOUNT)**



**MODEL T2 (DUCT MOUNT 0°)**



**MODEL T27 (DUCT MOUNT 90°)**



**INSTALLATION**

**WALL MOUNT**

Choose a location which minimizes the dust deposits on the filter.

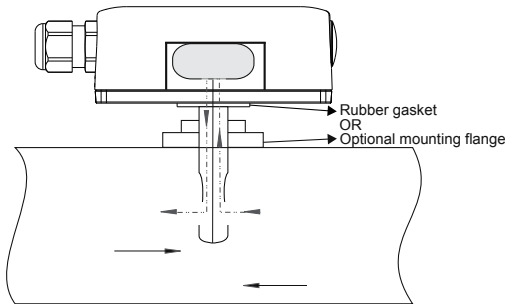
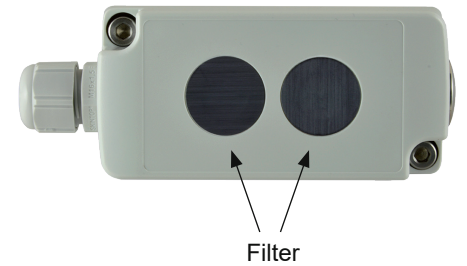
**DUCT MOUNT**

The arrows on the enclosure indicate the flow direction. When correctly installed, a small amount of air flows through the divided probe into the EE8915 enclosure, where the CO<sub>2</sub> sensing cell is located, and back into the duct.

**Very important**

For accurate measurement and response time according to specification:

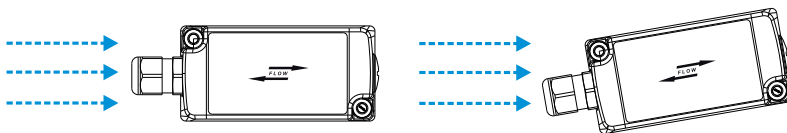
- » Minimum air speed in the duct shall be 1 m/s (196 ft/m).
- » The air flow shall be perpendicular to the opening holes on the head of probe.



**MODEL T2**

**CORRECT**

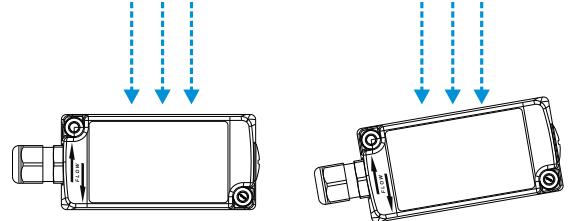
**INCORRECT**



**MODEL T27**

**CORRECT**

**INCORRECT**



**INFORMATION**

**+43 7235 605 0 / info@epluse.com**

E+E Elektronik Ges.m.b.H.  
 Langwiesen 7 • 4209 Engerwitzdorf • Austria  
 Tel: +43 7235 605-0 • Fax: +43 7235 605-8  
 info@epluse.com • www.epluse.com

LG Linz Fn 165761 t • VAT No. ATU44043101  
 Place of Jurisdiction: 4020 Linz • DVR0962759

